

ICET2015

by Fakultas Teknik

Submission date: 06-Dec-2019 12:07PM (UTC+0700)

Submission ID: 1228356166

File name: Prosiding_2_nd_ICET2015_coolant.pdf (1.93M)

Word count: 2443

Character count: 13985



ISBN : 978-602-71459-1-7

PROCEEDINGS

2nd International Conference on Engineering of Tarumanagara

“Urban Engineering for Future Generation”

Jakarta, 22-23 October 2015

Auditorium M Building, Campus I,
Tarumanagara University
Jl. Letjen. S. Parman No. 1,
Jakarta 11440 - Indonesia



UNTAR
Universitas Tarumanagara

Published by:
Faculty of Engineering, Tarumanagara University

Sponsored by:



www.untar.ac.id/ft/



PROCEEDINGS

² 2nd International Conference on Engineering of Tarumanagara
(ICET)

“Urban Engineering For Future Generation”
Jakarta, 22-23 Oktober 2015

ISBN 978-602-71459-1-7



FACULTY OF ENGINEERING
TARUMANAGARA UNIVERSITY
JAKARTA-INDONESIA
2015

REVIEWER

1. Dr. Harto Tanujaya Tarumanagara University, Indonesia (Chair)
2. Prof. Hui Ming Wee Chung Yuan Christian University, Taiwan
3. Prof. Satoyuki Kawano Osaka University, Japan
4. Prof. Robert Vale Victoria University of Wellington, New Zealand
5. Prof. Brenda Vale Victoria University of Wellington, New Zealand
6. Dr. Ing. A. Rugerri Toni L. Karlsruhe Institut für Technologie, Karlsruhe Germany and Atma Jaya Catholic University of Indonesia, Indonesia

7. Dr. Sie Teng Soh Curtin University, Australia
8. Dr. Thomas Marconi Delft University of Technology (TU Delft), The Netherlands

9. Prof. Yahaya Ahmad University of Malaya, Malaysia
10. Prof. Nasir Bin Daud University of Malaya, Malaysia
11. Prof. Mohd. Zulkifly b. Abdullah Universiti Sains Malaysia, Malaysia
12. Prof. Zaidi Mohd. Ripin Universiti Sains Malaysia, Malaysia
13. Dr. Ing. M. Razi Abdul Rahman Universiti Sains Malaysia, Malaysia
14. Dr. Ing. Joewono Prasetijo Universiti Tun Hussein Onn, Malaysia
15. Dr. Mohamed Azlan Suhot Universiti Teknologi Malaysia, Malaysia
16. Dr. Bambang K. Hadi Bandung Institute of Technology, Indonesia
17. Prof. Indarto University of Gadjah Mada, Indonesia
18. Prof. Jamasri University of Gadjah Mada, Indonesia
19. Prof. Tresna P. Soemardi University of Indonesia, Indonesia
20. Prof. I Made Kartika University of Indonesia, Indonesia
21. Prof. Danardono A. S. University of Indonesia, Indonesia
22. Prof. Eddy S. Siradj. University of Indonesia, Indonesia
23. Prof. Dr. Ir. Teuku Yuri M. Zagloel University of Indonesia, Indonesia
24. Dr. Yono Reksoprodjo University of Indonesia, Indonesia
25. Prof. Tjokorda Gde Tirta Nindhia Udayana University, Indonesia
26. Prof. Ngakan Putu Gede Suardana Udayana University, Indonesia
27. Prof. I Gusti Bagus Wijaya Kusuma Udayana University, Indonesia
28. Prof. Kuncoro Diharjo Sebelas Maret University, Indonesia
29. Prof. I Nyoman Pujawan Sepuluh November Institute of Teechnology, Indonesia

30. Prof. Hadi Sutanto Atma Jaya Catholic University of Indonesia, Indonesia

31. Dr. Iftikar Z. Satalaksana Bandung Institute of Technology, Indonesia
32. Prof. Tri Harso Karyono Tanri Abeng University, Indonesia
33. Dr. Rianti Ariobimo Trisakti University, Indonesia
34. Prof. Roesdiman Soegiarso Tarumanagara University, Indonesia
35. Prof. Chaidir A. Makarim Tarumanagara University, Indonesia
36. Prof. Agustinus Purna Irawan Tarumanagara University, Indonesia
37. Prof. Leksmono S Putranto Tarumanagara University, Indonesia
38. Dr. Adianto Tarumanagara University, Indonesia
39. Dr. Agustinus Sutanto Tarumanagara University, Indonesia
40. Dr. Danang Priatmodjo Tarumanagara University, Indonesia
41. Dr. Naniek Widayati Tarumanagara University, Indonesia
42. Dr. Titin Fatima Tarumanagara University, Indonesia

SCIENTIFIC COMMITTEE

- | | |
|---|---|
| 1. Dr. Harto Tanujaya | Tarumanagara University, Indonesia (Chair) |
| 2. Prof. Hui Ming Wee | Chung Yuan Christian University, Taiwan |
| 3. Prof. Satoyuki Kawano | Osaka University, Japan |
| 4. Prof. Robert Vale | Victoria University of Wellington, New Zealand |
| 5. Prof. Brenda Vale | Victoria University of Wellington, New Zealand |
| 6. Dr. Ing. A. Rugerri Toni L. | Karlsruhe Institut für Technologie, Karlsruhe
Germany and Atma Jaya Catholic University
of Indonesia, Indonesia |
| 7. Dr. Sie Teng Soh | Curtin University, Australia |
| 8. Dr. Thomas Marconi | Delft University of Technology (TU Delft), The
Netherlands |
| 9. Prof. Yahaya Ahmad | University of Malaya, Malaysia |
| 10. Prof. Nasir Bin Daud | University of Malaya, Malaysia |
| 11. Prof. Mohd. Zulkifly b. Abdullah | Universiti Sains Malaysia, Malaysia |
| 12. Prof. Zaidi Mohd. Ripin | Universiti Sains Malaysia, Malaysia |
| 13. Dr. Ing. M. Razi Abdul Rahman | Universiti Sains Malaysia, Malaysia |
| 14. Dr. Ing. Joewono Prasetijo | Universiti Tun Hussein Onn, Malaysia |
| 15. Dr. Mohamed Azlan Suhot | Universiti Teknologi Malaysia, Malaysia |
| 16. Dr. Bambang K. Hadi | Bandung Institute of Technology, Indonesia |
| 17. Prof. Indarto | University of Gadjah Mada, Indonesia |
| 18. Prof. Jamasri | University of Gadjah Mada, Indonesia |
| 19. Prof. Tresna P. Soemardi | University of Indonesia, Indonesia |
| 20. Prof. I Made Kartika | University of Indonesia, Indonesia |
| 21. Prof. Danardono A. S. | University of Indonesia, Indonesia |
| 22. Prof. Eddy S. Siradj. | University of Indonesia, Indonesia |
| 23. Prof. Dr. Ir. Teuku Yuri M. Zagloel | University of Indonesia, Indonesia |
| 24. Dr. Yono Reksoprodjo | University of Indonesia, Indonesia |
| 25. Prof. Tjokorda Gde Tirta Nindhia | Udayana University, Indonesia |
| 26. Prof. Ngakan Putu Gede Suardana | Udayana University, Indonesia |
| 27. Prof. I Gusti Bagus Wijaya Kusuma | Udayana University, Indonesia |
| 28. Prof. Kuncoro Diharjo | Sebelas Maret University, Indonesia |
| 29. Prof. I Nyoman Pujawan | Sepuluh November Institute of Teechnology,
Indonesia |
| 30. Prof. Hadi Sutanto | Atma Jaya Catholic University of Indonesia,
Indonesia |
| 31. Dr. Iftikar Z. Satalaksana | Bandung Institute of Technology, Indonesia |
| 32. Prof. Tri Harso Karyono | Tanri Abeng University, Indonesia |
| 33. Dr. Rianti Ariobimo | Trisakti University, Indonesia |
| 34. Prof. Roesdiman Soegiarso | Tarumanagara University, Indonesia |
| 35. Prof. Chaidir A. Makarim | Tarumanagara University, Indonesia |
| 36. Prof. Agustinus Purna Irawan | Tarumanagara University, Indonesia |
| 37. Prof. Leksmono S Putranto | Tarumanagara University, Indonesia |
| 38. Dr. Adianto | Tarumanagara University, Indonesia |
| 39. Dr. Agustinus Sutanto | Tarumanagara University, Indonesia |
| 40. Dr. Danang Priatmodjo | Tarumanagara University, Indonesia |
| 41. Dr. Naniek Widayati | Tarumanagara University, Indonesia |
| 42. Dr. Titin Fatima | Tarumanagara University, Indonesia |

ORGANIZING COMMITTEE

Chairman

I Wayan Sukania, S.T., M.T.

Vice Chairman

Imma Sofi Anindyta, S.T., M.Arch.

Conference Secretariat

M. Agung Saryatmo, S.T., M.M.

Mekar Sari, S.T., M.Sc.

Didi Widya Utama, S.T. M.T.

TABLE OF CONTENTS

Forewords: Chairman of the Organizing Committee	i
Forewords: Dean of Faculty of Engineering	ii
Scientific Committee	iii
Organizing Committee	iv
Program Overview	v
Table of Contents	vi
Parallel Session Schedules	xii

Invited Papers

Development of Low Frequency Electromagnetic Vibration Energy Harvester <i>Wan Masrurah Hairudin, M. Izudin Alisah, Chan Ping Yi, Tan Yee Hern, Zaidi Mohd Ripin</i>	1-8
---	-----

List of Papers - Architecture

Paper ID	Title Author/Authors	PP
AE-01	1 Catholic Church: Influence of Liturgical Ritual in the Building Design (Studied on Four Catholic Churches in DKI Jakarta Area) <i>Rudy Trisno, Sugiri Kustedja</i>	1
AE-02	Performance Analysis in Home Industry Scale Production of Modified Traditional Brick as Green Building Material With Reed as Filler <i>Turniati Ornam, Masykur Kimsan, La Ode Ngkoimani</i>	1-8
AE-03	The Study of Defense Space on Chinatown Petak Sembilan, West Jakarta <i>Nafi'ah Solikhah</i>	1
AE-04	Survey on the Fulfillment of the Construction Requirements for Non-Engineered Houses in North Sumatra <i>Darwin</i>	1
AE-05	Reveal Knowledge Pacitan Rural Java Architecture <i>Triyuniastuti, HB Satrio Wibowo, Sukirman</i>	1
AE-06	Uniqueness Omah Dudur Dawa Architecture <i>Satrio HB Wibowo, Sudaryono, E. Pradipto</i>	1
AE-07	Global and Local, at the Same Time <i>Franky Liauw</i>	1
AE-08	Conducting Smart Programs in the Old Kampoeng Beyond the Modern Era City of Surabaya <i>Danny Santoso Mintorogo Wanda K. Widigdo, Liliany S. Arifin, Anik Yuniwati</i>	1
AE-09	Adaptation to Climate Change as the Controller of Disaster Vulnerability in Coastal Settlements in Mempawah Hilir, West Kalimantan 1 <i>ty Nurhidayati</i>	1
AE-10	Study of Staircases Design and Visitors' Perception at Commercial Building <i>Siti Belinda Amri, Santi, La Ode Abdul Syukur, Aspin</i>	1-8

Paper ID	Title/Author/Authors	PP
ME-17	Analysis Ethyl Ester in Biodiesel of Raw Material Waste Coconut Oil and Arak <i>Nayan Bandem Adnyana, Ni Made Suaniti</i>	1-4
ME-18	Design and Development of Quadcopter Prototype <i>Nyan Fernaldo Alphonso, Agustinus Purna Irawan, Frans Jusuf Daywin</i>	1-7
ME-19	Experimental Investigation on Electronic Cooling Performance Using Porous Medium Heat Sink <i>Muhammad Zaakir Angsoommuddin, Mohd Zulkifly Abdullah, Third Author</i>	1-6
ME-20	Tensile Strength Polymer Matrix Composite With Reinforcement Gigantochloa Apus <i>Nyfan Djamil, Mohamed Azlan Suhot, Mohd Zaki Hasan</i>	1-7
ME-21	Effectivity of Heat Exchanger Using Coolant Fluid <i>Jarto Tanujaya</i>	1-4
ME-22	Alitizing Process of Low Alloy Steel Emergency Doors in High Rise Building <i>Erwin Siahaan</i>	1-8

List of Papers - Urban Engineering

Paper ID	Title/Author/Authors	PP
UE-01	Decision Design Support System of Urban Landscape Planning Using 3D Interactive Visualization <i>Herry Santosa, Shinji Ikaruga, Takeshi Kobayashi</i>	1
UE-02	Sustainability Level of Settlement in Gajah Wong Riverside Area, Kotagede, Yogyakarta <i>Abraham Bhaskara Singgih</i>	1
UE-03	Urban Sprawl Effect to Sustainable City <i>Nidas Budy</i>	1-3
UE-04	Arrangement Model on the Sustainable Coastal Settlement in Makassar <i>Naidah Naing, Asdar Djamereng, Bulgis</i>	1-8
UE-05	Implementation for Optimizing the Turnkey Project Scheme in Highrise Buiding/Flat Development Base on Duration and Interest Rate <i>Njolie Wirawati, Ricky Pittra Halim</i>	1-13
UE-06	Spatial Articulation and Coexistence of Mode of Production in the Dynamics of Development at the Urban Fringe of Makassar City <i>Batara Surya</i>	1-11

1
EFFECTIVITY OF HEAT EXCHANGER USING COOLANT FLUID

Harto Tanujaya

Department of Mechanical Engineering, Faculty of Engineering, Tarumanagara University, Jakarta

e-mail: hartotan@gmail.com ; hartot@ft.untar.ac.id

Abstract

In industry, heat exchanger usually used in the manufacturing process. This research will use shell and tube heat exchanger (STHC) with coolant fluid and water. Experimental data for analysis are temperature of the fluid and flowrate. Purpose of this research to analyze the effectivity of the heat exchanger and convection heat transfer coefficient in the system. Theoretical and experimental method are used in this research. The result show the best effectivity is 80% at shell flowrate of 2 L/min and tube flowrate of 5 L/min.

Keywords: coolant, temperature, effectivity, convection heat transfer coefficient

INTRODUCTION

Heat exchanger is equipment to transfer heat between one or more type of fluid in the different temperature. The type fluids that can be used in the heat exchanger are gas or liquid. In industrial, heat exchanger usually is used in the manufacturing process, refrigeration, air conditioning, power station, chemical plant, and petrochemical plant. The simple sample of the heat exchanger contribution is found in the radiator coils at automobile and condenser/evaporator air conditioning at the home appliances.

There are many type of the heat exchanger. In industry application usually are used the double pipe heat exchanger, shell and tube heat exchanger, and plate heat exchanger. The double pipe heat exchanger is the simplest one. The shell and tube heat exchanger consist of series of tubes. Usually shell and tube heat exchanger is used for high pressure application in industry with pressure and temperature more than 30 bar and 260 °C respectively.

Effectiveness of heat exchanger is depend on the surface area effective heat transfer, pressure drop, number of tubes, pipe length, pipe diameter, and number of baffles. This research will use shell and tube heat exchanger using cooling fluid. Many researchers have been studied to increase the effectiveness of the heat exchanger. Simin Wang, etc (2008) has been modified a baffle seal in the shell side to increase the performance of the heat exchanger of 25%. Other researchers have also been examined the shell and tube heat exchanger with spiral tube modification to decrease the pressure drop (Xuesheng Wang, etc, 2004).

In this study, the effectiveness of the heat exchanger will be calculated and analyzed with experimental testing. The results can be used as a reference to design the heat exchanger with a larger scale. The purpose of the research are calculate the convection heat transfer coefficient, area of heat transfer, and effectiveness of the heat exchanger.

MATERIAL AND METHOD

Heat exchanger type shell and tube is used in this experimental research, using coolant and water fluids. The experiment is conducted in the heat and mass transfer's laboratory located in the Mechanical Engineering Department, Tarumanagara University.

Diameter of the shell is 110 mm using flexiglass (acrylic) material. Inner and outer diameter of tube are 12.7 mm and 10.9 mm, respectively. Tubes consist of 20 tubes with total length of 700 mm. Type of the baffle using single segmental with 8 baffles and 20%

cutting. The type of the pump using 2 centrifugal pump to circulate the coolant and water fluid.

The experiment is investigated with flowrate variation of 2, 3, and 4 L/min respectively for both fluid. The properties of the fluids as shown in table 1.

Table 1. Properties of coolant and water

Fluid	Specific heat (kJ/kg.C)	Density (kg/m ³)
Water (32-49 ⁰ C)	4174	1000
Coolant	3818	1040

A installation diagram of the system is shown in Figure 1.

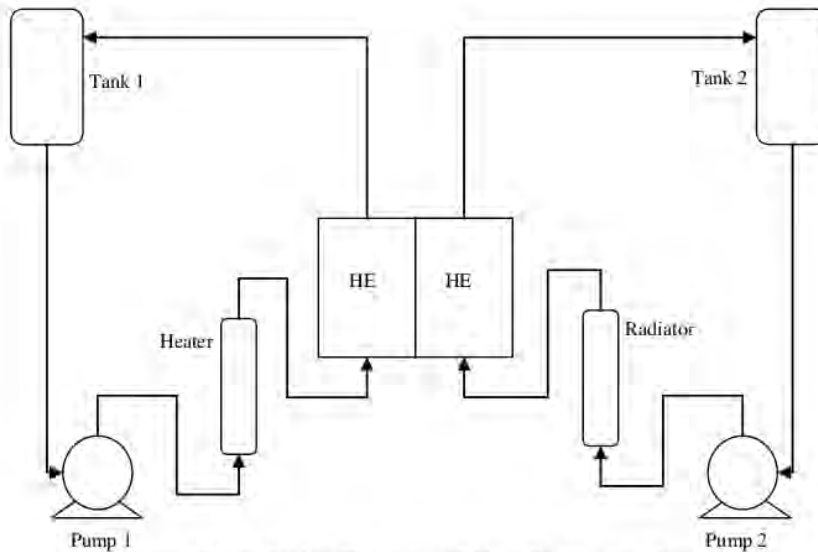


Figure 1. Installation Diagram of Heat Exchanger System

RESULTS AND DISCUSSION

In this experiment, we investigate the effectiveness of the heat exchanger. Temperature, convection heat transfer coefficient, and effectiveness of each condition are record and evaluation. Results of the experimental can be shown at the below figure.

Figure 2 show the graph of overall convection of heat transfer coefficient (U). The graph shows that the highest U is shown at the hot and cold fluid of 4 and 5 L/min, respectively. The highest and lowest U are 1270 W/m²°C and 743 W/m²°C, respectively.

Figure 3 show the graph of effectiveness and NTU of the system. The highest and lowest effectiveness are 80% and 60%, respectively.

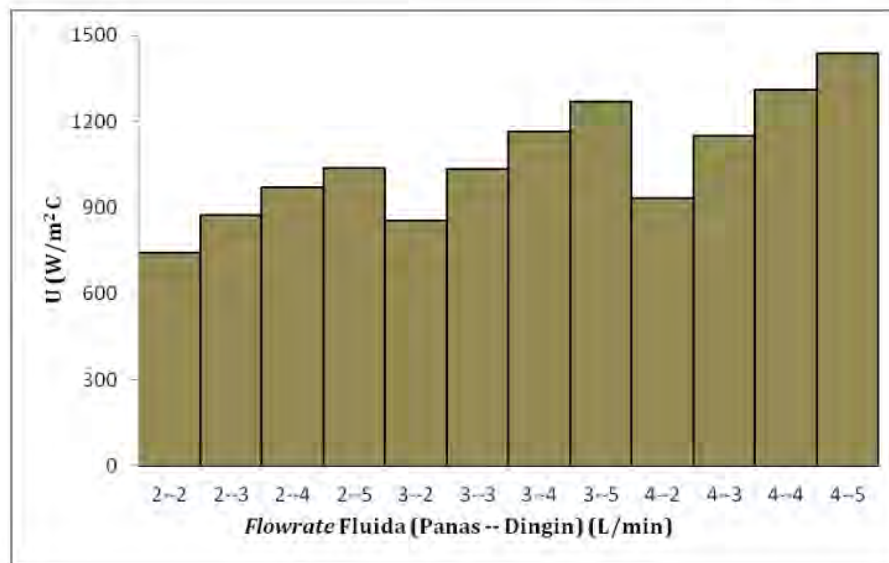


Figure 2. Over All Heat Transfer Coefficient

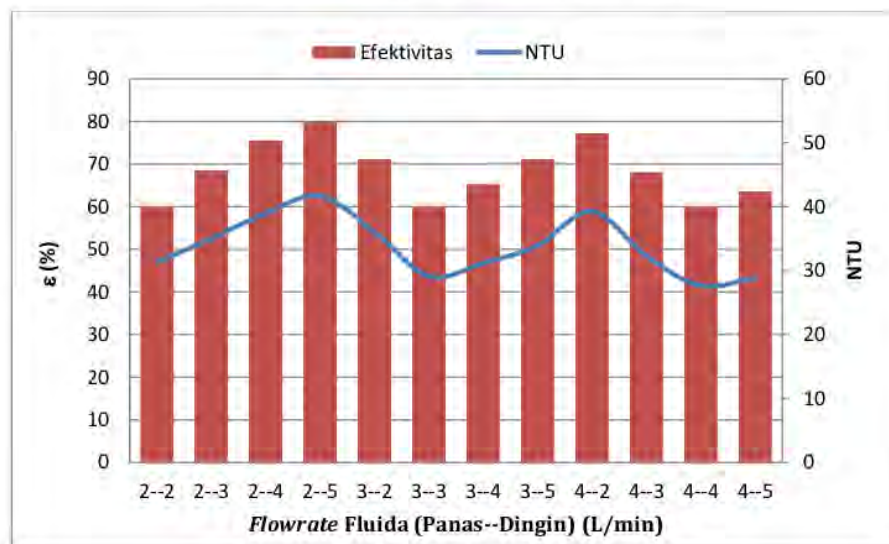


Figure 3. Effectiveness and NTU

CONCLUSIONS

The highest U for the hot and cold fluid are 4 and 5 L/min, respectively. The highest and lowest U are $1270 \text{ W/m}^2 \text{ } ^\circ\text{C}$ and $743 \text{ W/m}^2 \text{ } ^\circ\text{C}$. The highest effectiveness is occurred at 80% at the flowrate hot and cold of 2 and 5 L/min. The lowest effectiveness is occurred at 60% at the flowrate hot and cold of 3 and 4 L/min.

REFERENCES

- [1] Incropera F P., Dewitt D. P., 1996, Fundamentals of Heat and Mass Transfer, John Wiley & Sons, Inc., 4 th edition.

- [2] Cengel, Y.A., 2007, Heat and Mass Transfer: A Practical Approach. 3rd Edition .McGraw-hill. New York.
- [3] Simin Wang, Jian Wen, Yanzhong Li, An experimental investigation of heat transfer enhancement for a shell-and-tube heat exchanger. Applied Thermal Engineering 29 (2009), pp 2433-2438.
- [4] Xuesheng Wang, Ruzhu Wang, Jingyi Wu, Experimental investigation of a new-style double-tube heat exchanger for heating crude oil using solar hot water, Applied Thermal Engineering 25 (2005), pp 1753-1763.

ICET2015

ORIGINALITY REPORT

22%

SIMILARITY INDEX

22%

INTERNET SOURCES

5%

PUBLICATIONS

6%

STUDENT PAPERS

PRIMARY SOURCES

1

docplayer.net

Internet Source

16%

2

amir.dosen.akprind.ac.id

Internet Source

6%

Exclude quotes On

Exclude matches < 5%

Exclude bibliography On